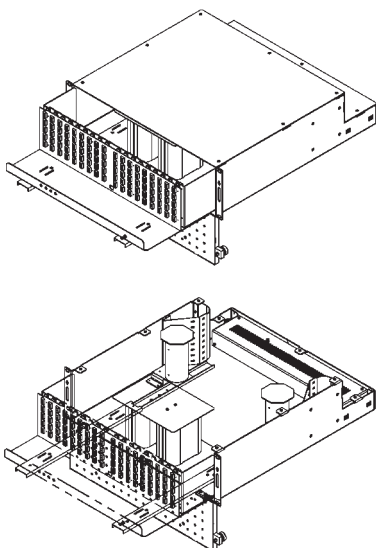


# Change management with Integrity

## 90-port RFID Optical Distribution Panels

- Real-time mapping
- No paper
- Integrity of data
- Automated mapping
- IP Addressable
- Minimises downtime
- Prevents overstretch
- Minimise loss of data

Front of casing showing slide out drawer and hinged fascia with wipeable labels and LED markers.



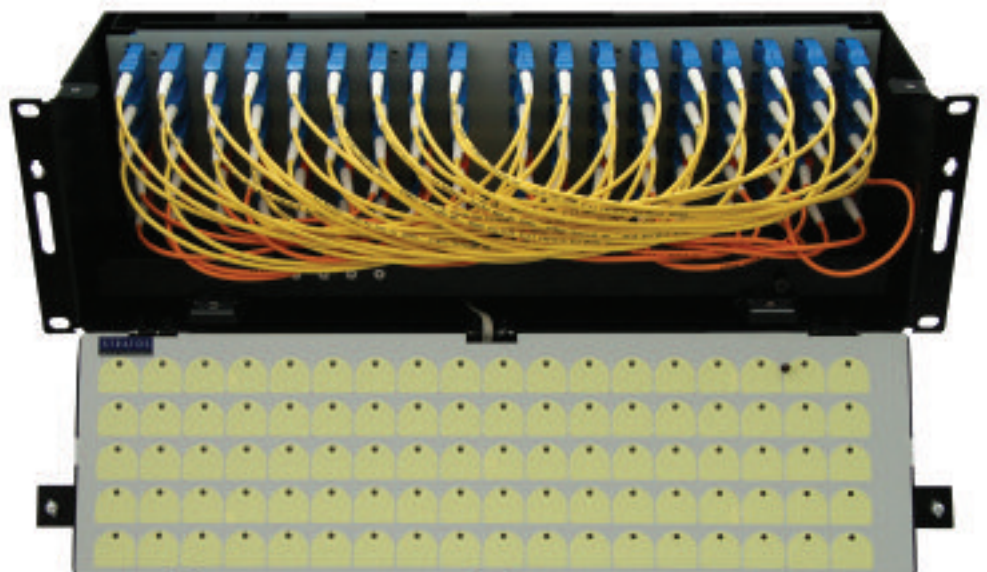
### Intelligent patch panels

Stratos intelligent connectors and patch panels offer the cost-effective solution to real-time mapping and management for both fibre and copper networks. This obviates the need for cumbersome paper based records, and the associated risks for data integrity. The Stratos system is simple to install and requires minimum maintenance.

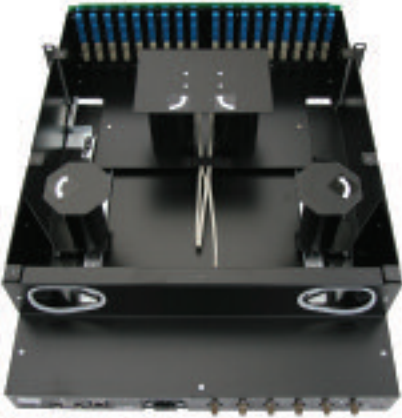
Each RFID equipped connector can store information about that connector, as well as the cable assembly it is part of and the pairing connector on that cable assembly.

This provides complete pairing information of connectors on cable assemblies, enabling engineers to diagnose potential faults quickly and if necessary take immediate action to re-route traffic via the most efficient channels.

The cable infrastructure routing is constantly monitored in near real time, with information automatically relayed from the individual nodes to a computerised mapping and management system.



Rear view, with lid removed to show cable management & entry points. PowerBrick is mounted in the lower section with all connections to the rear.



PowerBrick outside the panel showing all-enclosed-packing with connections on the rear. This unit can be mounted separately in 1RU space if needed.



### Technology

The Stratos intelligent system uses RFID technology and is fully ISO15693 compliant. Connectors respond to a reader using a passive transponder with a unique serial number. The transponder device has a non-volatile memory which holds specific information about the connector such as build history, assembly information and test data. A scratch pad memory logs any occurrence during the life-cycle of the connector locally in a dynamic onboard database.

### Typical Intelligent Patch/Distribution Panels

Each node on this patch panel is equipped with an RFID receiver antenna which detects the presence of a patch cord enabled with a specific RFID tag and monitors incidents.

The patch panel communicates to a monitoring station which is accessed remotely by secure network or internet channel.

The mapping data gets automatically entered into the mapping system, and the status of any enabled node will be digitally verified providing data of the utmost integrity

### Networking Panels

The option exists to link various patch panels together on a dedicated network to provide optimised monitoring of very large port counts.

### Optical Distribution Panel

The ODP is ergonomically designed, and utilises high port count per RU space occupied. The 90-port ODP provides 90-duplex LC Optical Adapters ideal for patching up to 180-channels. Provision is made for both Single Mode as well as Multi Mode cabling to be implemented on the same ODP with clear distinction between them.

Cable Management for trunk cables is provided within the Panel's Chassis. This provides for bend radius & tension management of all trunk cables that could be implemented within this ODP.

The patch area is provided on a sliding drawer, to ease cabling. The chassis has a door closing the ODP after patching has been done.

The unit is fully self contained, with built-in broad input range power supply. The ODP communicates with the outside world through a dedicated RS232 port, or via an Ethernet connection on an RJ45 connection located on the PowerBrick.

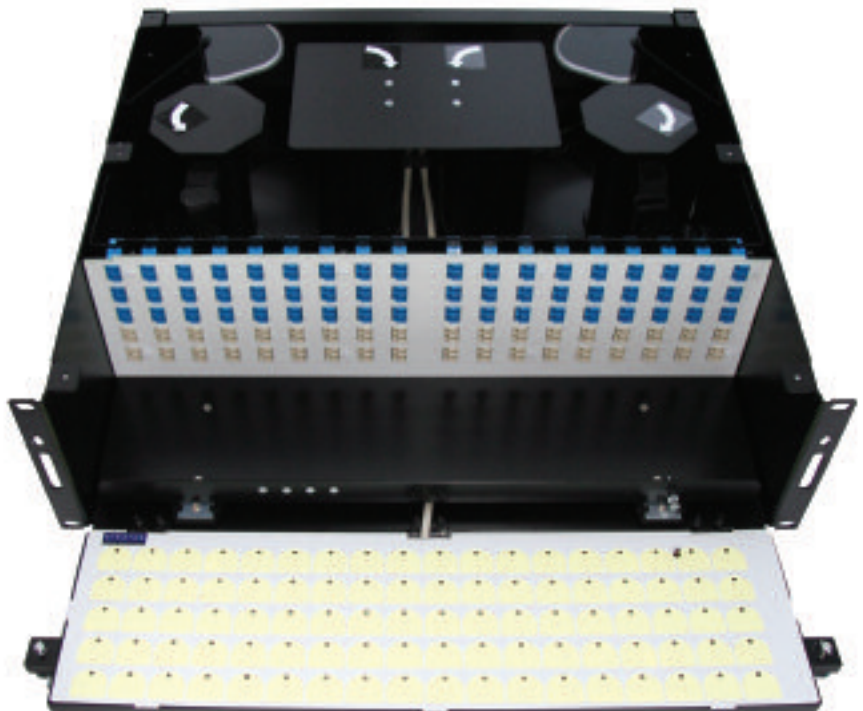
An intelligent PowerBrick arrangement provides a self redundant dual switching PSU, with 6\* 12VDC Power outputs, all monitored, managed and health condition reported.

### RFID Port Monitoring

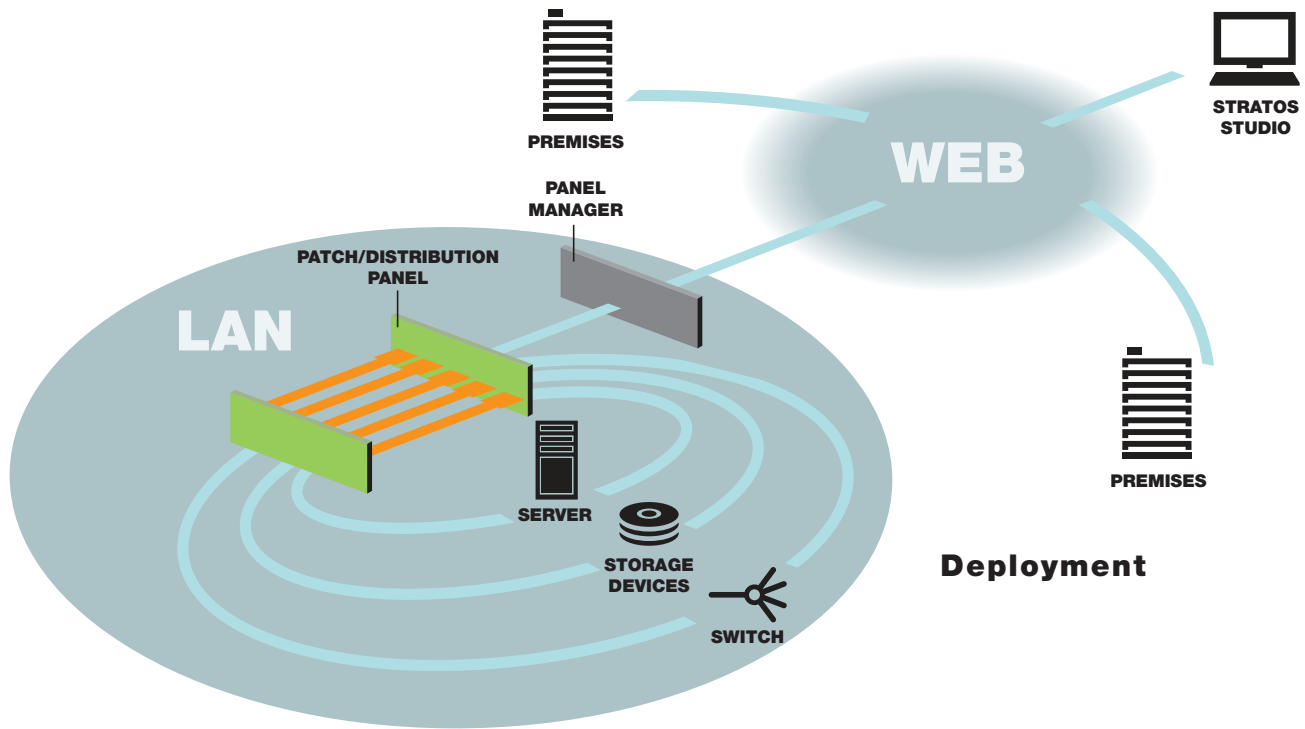
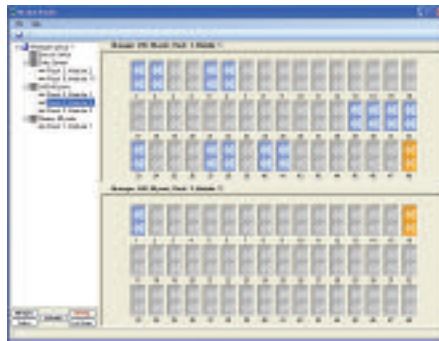
All 90-ports are scanned within 1sec and reported on RS232 and/or LAN outputs. Door has built-in LED Panel, representing various states of the RFID Ports. These are software driven, so various scenarios can be displayed and monitored.

Physical Layer Management through Port Status Monitoring with the help of RFID is reported with HTML Protocols, in 'near-real-time'.

Front view of the panel, with lid removed for clarity. Drawer in closed position and Door with LED Panel opened. Top 3-rows (blue) - SM Bottom 2-rows (beige) - MM



Stratos Studio planning mode (left), and assistant mode (right).



## Deployment

### Specification

#### Optical Channels

- 180 LC channels - total count
- 108 LC Single Mode Channels (top 3 rows)
- 72 LC Multi Mode Channels (bottom 2 rows)

#### Management

- Web-based management interface
- Guided Integration/Installation/Configuration - FROM ANYWHERE IN THE WORLD
- DHCP IP address management or Static IP address assignment
- RS232 for point-to-point analysis or management
- Power supply diagnostics
- Firmware uploads via LAN-based utility

### Chassis

- Dimensions: 133mm (H) x 444.5mm (W) x 500 (D)
- Height: 3RU, rack mounting kit included
- Weight: 12kg / 25lbs
- Packaged Weight: 13.5kg
- Construction: Rugged design for wide application range
  - 19" Building apps
  - 19" Vehicular - wheeled or tracked
- Materials:
  - Majority Alu for weight purposes
  - Patch Panel - mild steel for rigidity
  - PowerBrick enclosure - mild steel

### Environmental

- Operating Temperature: 0°C to 45°C (32°F to 113°F)
- Storage Temperature: -20°C to 70°C (-4°F to 158°F)
- Operating Humidity: 10% to 90% non-condensing
- Storage Humidity: 10% to 95% non-condensing

### Power

- Maximum Power Consumption: 1.0A @ 85VAC - 264VAC
- Frequency: 47Hz - 63Hz
- Power Outputs: 6x 12VDC @ 250mA (nominal) [330mA (max)]
- All outputs are continuously monitored, short-circuit protected & self-recovering

### Stratos Limited (UK)

Holland Road Industrial Estate  
Haverhill, Suffolk CB9 8PR, UK

**Telephone:** +44 (0) 7771 703 858

**Fax:** +44 (0) 1440 762044

**Website:** www.stratoslightwave.com

**Email:** jscholtz@stratoslightwave.com

As part of a process of continual product improvement Stratos reserve the right to alter all or part of the specification of products without prior notice. Whilst every effort to ensure the accuracy of the information contained herein Stratos cannot accept any liability arising from its use.